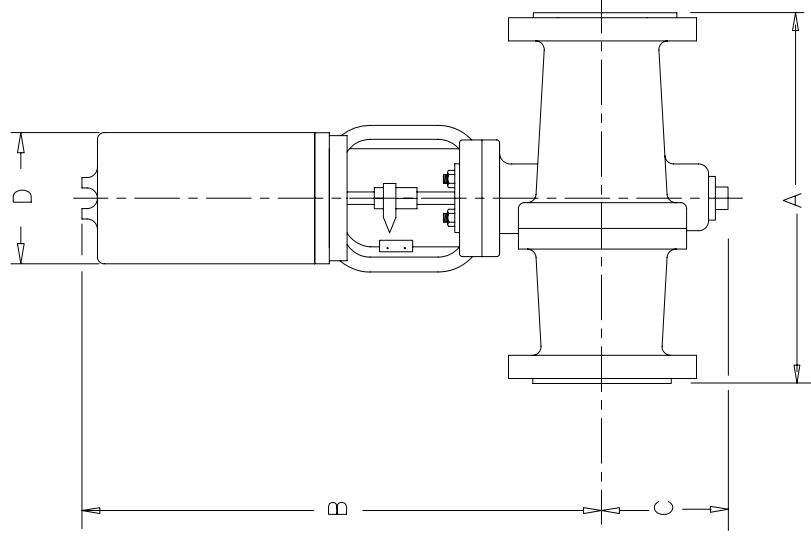


+

VALVE SIZE	ANSI FLANGE	DIMENSIONS, INCHES			WGT. LBS	
		A	B ^①	C		D ^②
2 1/2"	125-150#	10.88	26.22	5.84	4.50	175
	250-300#	11.50	26.22	5.84	4.50	175
3"	125-150#	11.75	26.22	5.84	4.50	190
	250-300#	12.50	26.22	5.84	4.50	190
4"	125-150#	13.88	28.54	6.91	4.50	300
	250-300#	14.50	28.54	6.91	4.50	300
6"	125-150#	17.75	30.10	7.72	4.50	375
	250-300#	18.62	30.10	7.72	4.50	375

① ADD 6.28" FOR REMOVAL OF MOTOR COVER FOR ELECTRICAL CONNECTIONS.

② FOR EXPLOSION-PROOF MOTOR, ADD 0.33 TO DIMENSION 'D'.



FN: MK37-6

2 1/2-6" MARK 37

DRAWN BY	DATE
JLA	12/8/97
CHECKED BY	DATE

MK37
2 1/2-6"

SPECIFICATION DATA

CUSTOMER _____
 ORDER No. _____ SERIAL No. _____
 TAG No. _____
 VALVE TYPE _____ QTY. _____
 BODY _____
 END CONN. _____
 INLET PRESS. _____ MAX. Δ P _____
 CONTROL RANGE _____
 VALVE ACTION: RISE IN SIGNAL TO OPEN CLOSE
 VALVE SEAT _____ Cv _____
 MISC. _____
 CERTIFIED _____ DATE _____

 RICHARDS INDUSTRIES
 CINCINNATI, OHIO
 U.S.A.

VALVE GROUP _____

+