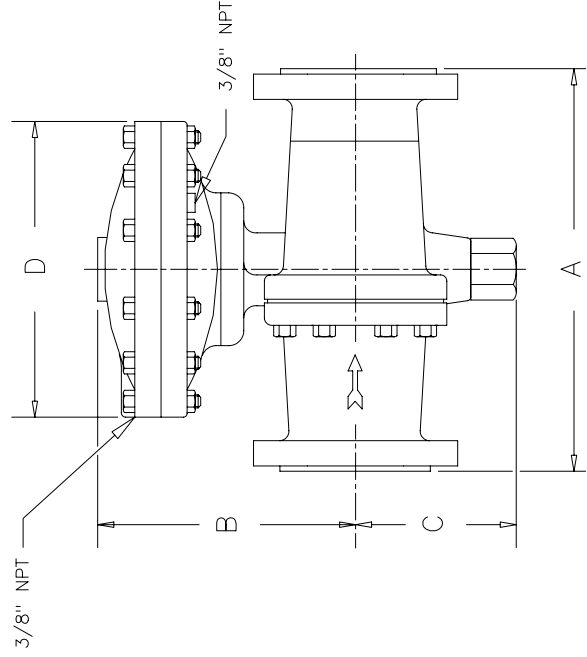


+

VALVE SIZE	FLANGE RATING	DIMENSIONS, INCHES				WGT. LBS.
		A	B	C	D	
2 1/2"	125-150#	10.87	10.68	6.93	12.75	160
	250-300#	11.50				
3"	125-150#	11.75	10.68	6.93	12.75	180
	250-300#	12.50				
4"	125-150#	13.87	11.88	8.00	12.75	210
	250-300#	14.50				
6"	125-150#	17.75	12.57	9.00	12.75	300
	250-300#	18.62				



MK56 & 66

SPECIFICATION DATA

CUSTOMER _____
 ORDER No. _____ SERIAL No. _____
 TAG No. _____
 VALVE TYPE _____ QTY. _____
 BODY _____
 END CONN. _____
 INLET PRESS. _____ MAX. Δ P _____
 PRESS. RANGE _____ SET AT _____
 VALVE ACTION: RISE IN PRESSURE TO OPEN CLOSE
 VALVE SEAT _____ Cv _____
 MISC. _____
 CERTIFIED _____ DATE _____

 RICHARDS INDUSTRIES
 CINCINNATI, OHIO
 U.S.A.

VALVE GROUP

DRAWN BY	DATE
JLA	4/14/96
CHECKED BY	DATE

MK56/66
2 1/2-6"

F.N.:MK56-6

2 1/2-6" MARK 56 & 66
AIR LOADED BACK PRESSURE REGULATOR & PRESSURE REDUCING VALVE.

+