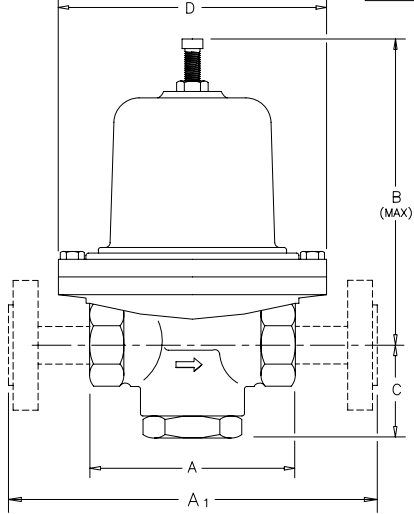


+

| THREADED ENDS | | | | | |
|---------------|--------------------|-------|------|------|------------|
| VALVE SIZE | DIMENSIONS, INCHES | | | | WEIGHT LBS |
| | A | B | C | D | |
| 1/4 | 5.00 | 7.56 | 2.56 | 5.00 | 11 |
| 3/8 | 5.00 | 7.56 | 2.56 | 5.00 | 11 |
| 1/2 | 5.00 | 7.56 | 2.56 | 5.00 | 11 |
| 3/4 | 5.00 | 9.37 | 2.62 | 6.87 | 20 |
| 1 | 5.00 | 9.37 | 2.62 | 6.87 | 20 |
| 1 1/4 | 7.50 | 16.75 | 3.87 | 9.37 | 68 |
| 1 1/2 | 7.50 | 16.75 | 3.87 | 9.37 | 68 |
| 2 | 7.50 | 16.75 | 3.87 | 9.37 | 68 |

| FLANGED ENDS | | | | | | |
|--------------|-------------|--------------------|-------|------|------|------------|
| VALVE SIZE | FLANGE ANSI | DIMENSIONS, INCHES | | | | WEIGHT LBS |
| | | A, O | B | C | D | |
| 1/2 | 150# | 9.50 | 7.56 | 2.56 | 5.00 | 13 |
| | 300# | 9.75 | 7.56 | 2.56 | 5.00 | 16 |
| 3/4 | 150# | 9.50 | 9.37 | 2.62 | 6.87 | 24 |
| | 300# | 9.75 | 9.37 | 2.62 | 6.87 | 27 |
| 1 | 150# | 9.50 | 9.37 | 2.62 | 6.87 | 24 |
| | 300# | 9.75 | 9.37 | 2.62 | 6.87 | 27 |
| 1 1/4 | 150# | 13.00 | 16.75 | 3.87 | 9.37 | 74 |
| | 300# | 13.25 | 16.75 | 3.87 | 9.37 | 77 |
| 1 1/2 | 150# | 13.00 | 16.75 | 3.87 | 9.37 | 74 |
| | 300# | 13.25 | 16.75 | 3.87 | 9.37 | 81 |
| 2 | 150# | 13.00 | 16.75 | 3.87 | 9.37 | 78 |
| | 300# | 13.25 | 16.75 | 3.87 | 9.37 | 83 |

① NOT TO ANSI



| SPECIFICATION DATA | |
|-----------------------------------|--------------------------------|
| CUSTOMER | _____ |
| ORDER No. | _____ SERIAL No. _____ |
| TAG No. | _____ |
| VALVE TYPE | _____ QTY. _____ |
| BODY | _____ |
| END CONN. | _____ |
| INLET PRESS. | _____ MAX. Δ P _____ |
| PRESS. RANGE | _____ SET AT _____ |
| VALVE ACTION: RISE IN PRESSURE TO | <input type="checkbox"/> OPEN |
| | <input type="checkbox"/> CLOSE |
| VALVE SEAT | _____ Cv _____ |
| MISC. | _____ |
| CERTIFIED | _____ DATE _____ |

 RICHARDS INDUSTRIES
CINCINNATI, OHIO
U.S.A.
VALVE GROUP

FN: MK68G

1/4-2" MARK 68 GLOBE STYLE
PRESSURE REDUCING VALVE

| | |
|------------|----------|
| DRAWN BY | DATE |
| JLW | 10/15/03 |
| CHECKED BY | DATE |

MK68G

+