



JORDAN VALVE
A Division of Richards Industries

3170 Wasson Road • Cincinnati, OH 45209 USA
Phone 513-533-5600 • Fax 513-871-0105
E-Mail: info@richardsind.com • www.jordanvalve.com

I&M 518

Installation & Maintenance Instructions for Mark 518 Low Pressure/Back Pressure Regulator

Warning: Jordan Valve Control Valves must only be used, installed, and repaired in accordance with these Installation & Maintenance Instructions. Observe all applicable public and company codes and regulations. In the event of leakage or other malfunction, call a qualified service person; continued operation may cause system failure or a general hazard. Before servicing any valve, disconnect, shut off, or bypass all pressurized fluid. Before disassembling a valve, be sure to release all spring tension.

Please read these instructions carefully!

Your Jordan Valve product will provide you with long, trouble-free service if it is correctly installed and maintained. Spending a few minutes now reading these instructions can save hours of trouble and downtime later. When making repairs, use only genuine Jordan Valve parts.

- of the flow.
- 2) Slowly open the supply line.
- 3) Slowly increase the pressure using a hex-key. Turn clockwise to decrease the pressure. Turn counterclockwise to increase the pressure.

Verify sizing with the chart below:

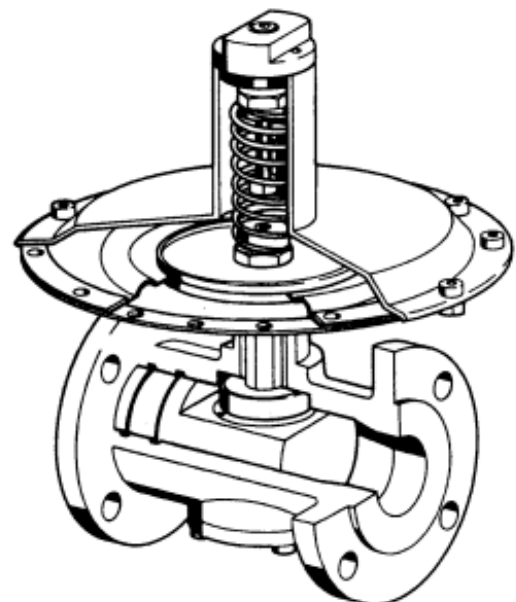
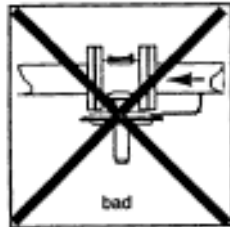
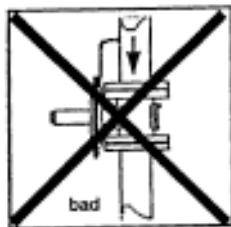
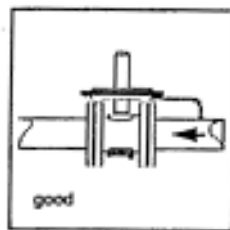
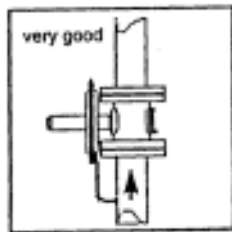
Pre-Installation

Before installation please verify the following:

- 1) Verify that system pressures match the pressures listed on the valve tag.
- 2) All lines have been cleaned of foreign matter.
- 3) Verify that all materials are compatible with the media.
- 4) Directional flow arrow on valve.

Inlet Pressure	Nitrogen Flow in SCFH
1.6" w. c.	883
4" w. c.	1412
6" w. c.	1765
10" w. c.	2295
16" w. c.	2825
20" w. c.	3178
1.16 psi	4061
1.45 psi	4590
2.9 psi	6003
5.8 psi	8828
7.25 psi	10,594

Preferred Installation



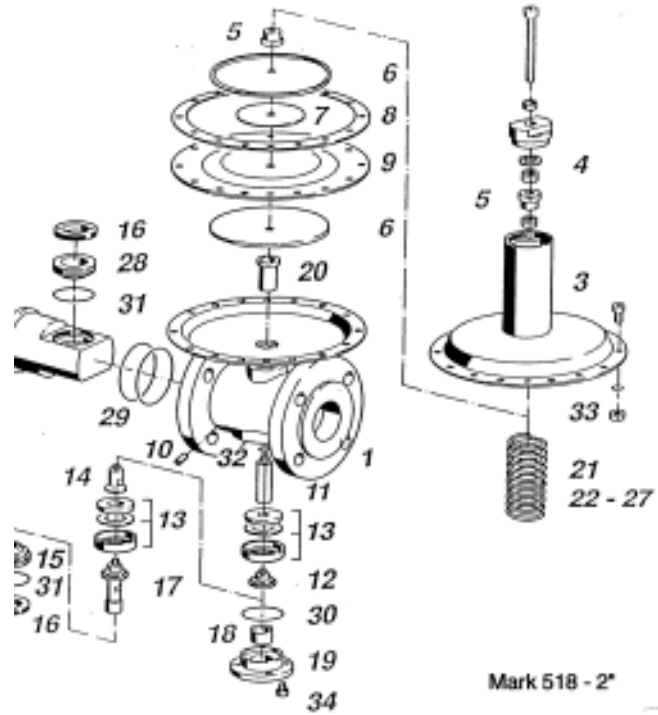
For vertical installation in the line the condensate tubing has to be connected to evacuate the condensate.
For horizontal installation it is possible to close the condensate tubing connection with a pipe plug.

- 1) Install the valve with the flow arrow pointing in direction

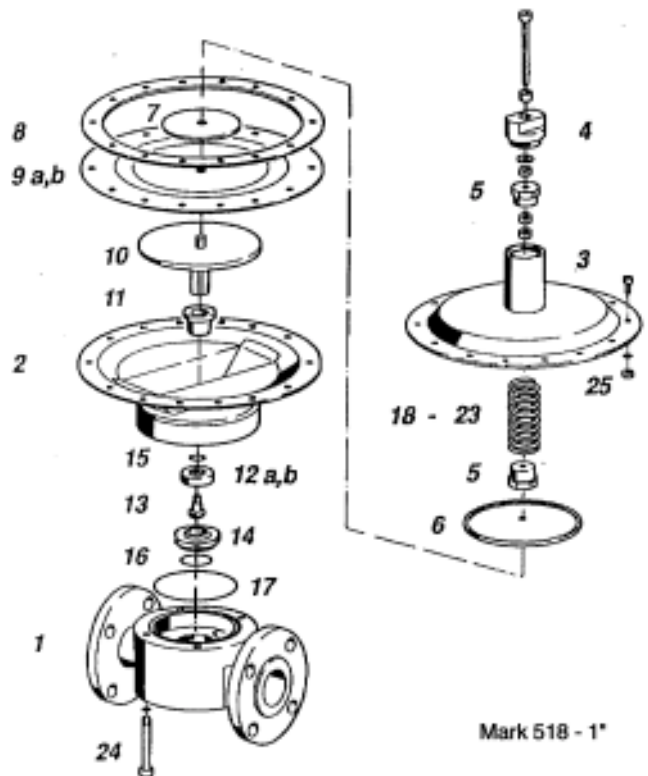
PROTECT VALVES WITH LINE STRAINERS

Mark 518 Spare Parts List and Illustration

Pos.	Designation	Item No.
1	Housing, Complete	BR-550
2	Housing seat	BR-551
3	Spring dome, M200	BR-553
4	Setting screw, complete	BR-522
5	Spring guide	BR-520
6	Diaphragm disc	BR-519
7	Sealing disc	BR-121
8	Sealing ring	BR-119
9	Viton diaphragm	BR-116
10	Locating pin	BR-548
11	Diaphragm disc guide	B-506
12	Upper guide bolt	B-505
13	Sealing disc, complete	BR-554
14	Middle guide bolt	B-504
15	Lower valve seat	B-509
16	Lock ring	BR-508
17	Lower guide bolt	B-503
18	Bush	BR-513
19	Collar plate	BR-501
20	Guide bush	BR-514
21	Setting spring, complete	BR-510
22	Setting spring, 10 mbar	BR-527
23	Setting spring, 20 mbar	BR-528
24	Setting spring, 50 mbar	BR-529
25	Setting spring, 100 mbar	BR-530
26	Setting spring, 200 mbar	BR-531
27	Setting spring, 500 mbar	BR-532
28	Upper valve seat	BR-511
29	O-ring 65/2.5mm	BR-100
30	O-ring 49/2mm	BR-101
31	O-ring 40/2mm	BR-102
32	O-ring 9/1.5mm	BR-103
33	Cyl. screw, M5x14, spring ring, nut	
34	Cyl. screw, M6x16, spring ring	



Mark 518 - 2*



Mark 518 - 1*

Pos.	Designation	Item No.
1	Housing, Complete	BR-250
2	Housing guide	B-252
3	Spring dome, M200	BR-553
4	Setting screw, complete	BR-522
5	Spring guide	BR-520
6	Diaphragm disc	BR-519
7	Sealing disc	BR-121
8	Sealing ring	BR-119
9a	PTFE diaphragm	BR-115
9b	Viton diaphragm	BR-116
10	Diaphragm disc, complete	B-201
11	Guide bush	B-209
12a	Sealing disc, complete P	B-203
12b	Sealing disc, complete V	B-204
13	Sealing screw 180	B-222
14	Valve seat 180	B-243
15	O-ring 6.07x1.78	B-127
16	O-ring 25x1.5	BR-125
17	O-ring 60.05x1.78	BR-126
18	Setting spring, 10 mbar	BR-527
19	Setting spring, 20 mbar	BR-528
20	Setting spring, 50 mbar	BR-529
21	Setting spring, 100 mbar	BR-530
22	Setting spring, 200 mbar	BR-531
23	Setting spring, 500 mbar	BR-532
24	Cyl. screw, M8x65, spring ring	
25	Cyl. screw, M5x14, spring ring, nut	



3170 Wasson Road • Cincinnati, OH 45209

Phone 513-533-5600 • Fax 513-871-0105

E-Mail: info@richardsind.com

URL: www.jordanvalve.com