



3170 Wasson Road • Cincinnati, OH 45209 USA
Phone 513-533-5600 • Fax 513-871-0105
info@richardsind.com • www.jordanvalve.com

I & M Mark 2000

*Installation & Maintenance Instructions for
Mark 2000 Angle Bodied Disc Valves - Air to Open*

Warning: Jordan Valve products must only be used, installed and repaired in accordance with these Installation & Maintenance Instructions. Observe all applicable public and company codes and regulations. In the event of leakage or other malfunction, call a qualified service person; continued operation may cause system failure or a general hazard. Before servicing any valve, disconnect, shut off, or bypass all pressurized fluid. Before disassembling a valve, be sure to release all spring tension.

Please read these instructions carefully!

Your Jordan Valve product will provide you with long, trouble-free service if it is correctly installed and maintained. Spending a few minutes now reading these instructions can save hours of trouble and downtime later. When making repairs, use only genuine Jordan Valve parts, available for immediate shipment from the factory.

To Disassemble Actuator

1. Remove position indicator (24) from actuator.
2. Insert actuator removal tool or other suitable device and thread into actuator where position indicator pin was located.
3. Thread tool completely into actuator. Next, compress the springs in the actuator by tightening the wing-nut of the tool onto the actuator. **NOTE: if you do not have the actuator tool mentioned above, a long screw with a bolt can be used to compress the spring.**
4. Once the springs are compressed, there will be a space between the flange (9) and the clip ring (20).
5. Use snap ring pliers or spanner wrench to remove the clip ring (20) from the bonnet (2).
6. Remove the bonnet from the actuator by slowly loosening the wing nut. **BE SURE ACTUATOR TOOL DOES NOT LOOSEN - TOOL COULD BE FORCEFULLY EJECTED FROM ACTUATOR, CAUSING INJURY TO PERSON OR PROPERTY.**
7. Pay attention that the actuator tool doesn't loosen when the wing-nut of tool is being loosened.
8. Once sufficiently loosened and springs are relaxed, remove actuator tool from actuator.
9. At this time, the inside of the actuator will be exposed and seals can be exchanged.

To Access Seating Seal

1. To access the seating seal (7), simply loosen the bonnet section (2) from the flange (9). This can be done after carrying out the previous steps from actuator disassembly. If done before actuator is disassembled, it is recommended to supply air to the actuator to lift the seat from the valve body to

- prevent damage to the seating seal (7).
2. Once the head section is loosened, remove actuator and piston rod from valve body.
3. Loosen seat retaining bolt (16) from valve disc (5) and remove seating seal (7).
4. Replace sealing for head section (22) if damaged.
5. Use snap ring pliers or spanner wrench to remove the clip ring (20) from the bonnet (2).

To Access Packing Chamber

Note: Previous steps must be carried out beforehand.

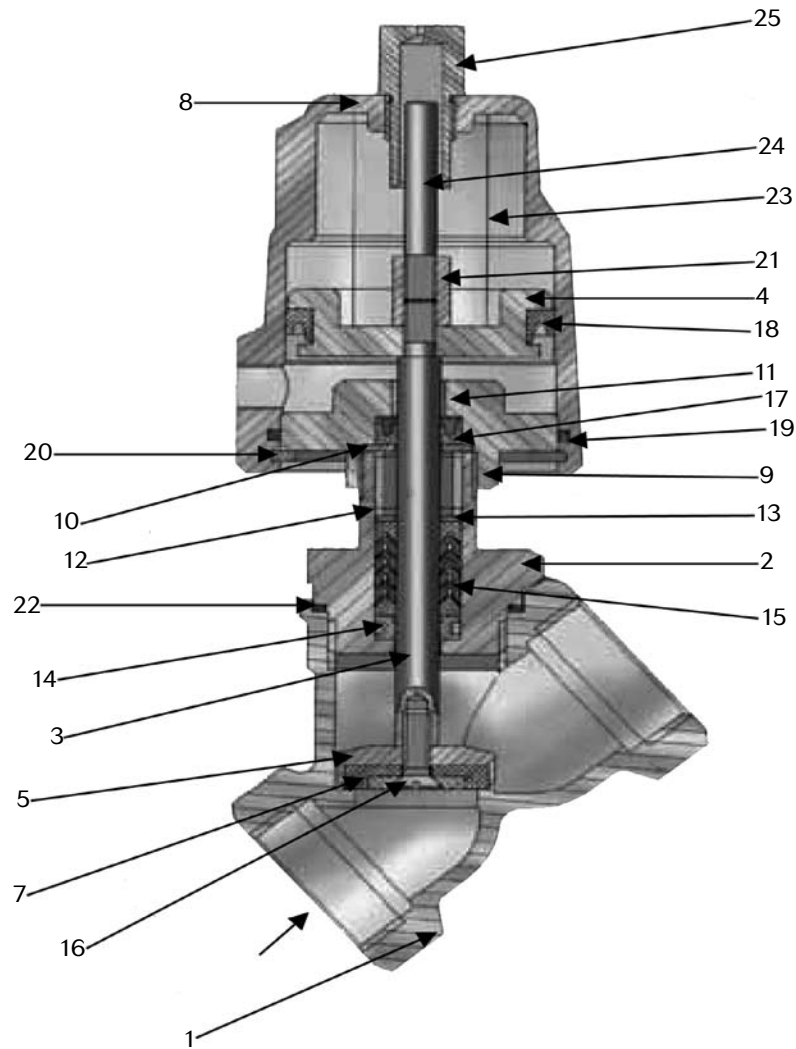
1. Remove the piston (4) from the stem (3) by removing stem nut (21).
2. Pull the piston rod out of the bonnet (2) from below.
3. The flange (9) should then be removed from the bonnet (2).
4. The flange is assembled with an anti-loosening liquid to prevent it from becoming inadvertently loosened. Use caution not to damage the flange, especially at the sealing areas, when disassembling.
5. Once the previous steps are completed, the packing chamber is now accessible.

Ordering Spare Parts

Use only genuine Jordan Valve parts to keep your valve in good working order. So that we can supply the parts, which were designed for your valve, we must know exactly which product you are using. The only guarantee to getting the correct replacement parts is to provide your Jordan Representative with the valve serial number. This number is located on the valve identification tag. If the serial number is not available, the parts needed for your valve might be determined using the following information: Model Number, Valve Body Size, Seat Material and Cv Rating, Spring Range and Set Point, Trim Material, Part Name - Number and Quantity.

NOTE: Any parts ordered without a valve serial number that are found to be incorrect are subject to up to a minimum 25% restock charge when returned.

Illustration and Parts List



Item	Description	Item	Description
1	Body	*14	Packing Wiper
2	Bonnet	*15	V-Ring Packing
*3	Stem	16	Seat Retaining Bolt
4	Piston	*17	Actuator Stem Seal
*5	Valve Disc	18	Actuator Piston Seal
7	Seat	*19	O-Ring
8	Actuator Housing	20	Clip Ring
9	Flange	21	Stem Nut
10	Disc	22	Body Bonnet Gasket
11	Bushing	23	Spring
*12	Packing Spring	24	Position Indicator
*13	Packing Ring	25	Indicator Cover
*	Recommended Spare Parts		