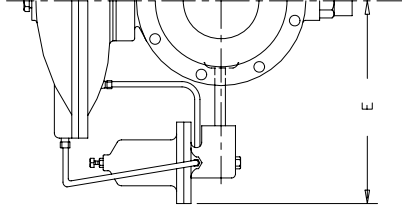
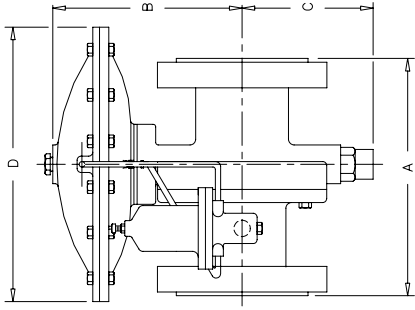


VALVE SIZE	FLANGE RATING	DIMENSIONS IN INCHES					WGT. LBS
		A	B	C	D	E	
2	125-150	10.87	10.68	6.93	12.75	10.00	173
	250-300	11.50					
3	125-150	11.75	10.68	6.93	12.75	10.00	193
	250-300	12.50					
4	125-150	13.87	11.88	8.00	12.75	11.00	223
	250-300	14.50					
6	125-150	17.75	12.57	9.00	12.75	11.00	313
	250-300	18.62					



SPECIFICATION DATA

CUSTOMER _____
 ORDER No. _____ SERIAL No. _____
 TAG No. _____
 VALVE TYPE _____ QTY. _____
 BODY _____
 END CONN. _____
 INLET PRESS. _____ MAX. Δ P _____
 PRESS. RANGE _____ SET AT _____
 VALVE ACTION: RISE IN PRESSURE TO OPEN CLOSE
 VALVE SEAT _____ Cv _____
 MISC. _____
 CERTIFIED _____ DATE _____

 RICHARDS INDUSTRIES
 CINCINNATI, OHIO
 U.S.A.

VALVE GROUP o

FN: MK6769H-6

2 1/2-6" MK6769H
 EXTERNAL PILOT OPERATED PRESSURE REDUCING VALVE
 WITH HIGH PRESSURE PILOT

DRAWN BY	DATE
JLA	1/23/98
CHECKED BY	DATE

MK6769H
 2 1/2-6"