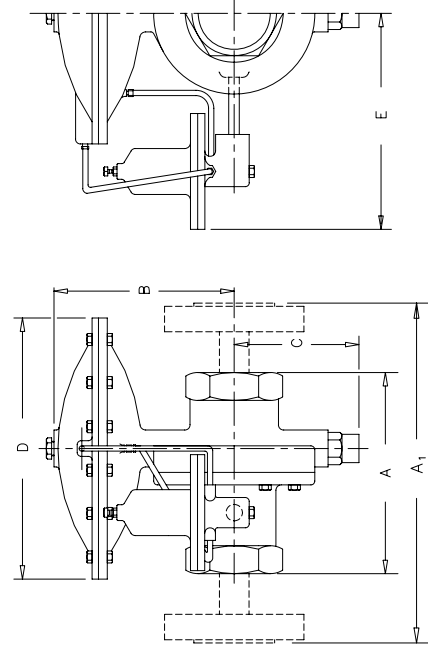


+

VALVE SIZE		DIMENSIONS, INCHES					WGT. LBS	
		A	B	C	D	E		
1/2	DI CS/SS	5.50	5.06	3.50	7.12	11.50	32	
3/4		5.31	5.50	5.06	7.12	11.50	32	
1		5.69	6.50	5.25	3.62	7.12	11.50	36
1 1/4		5.88	6.50	5.43	3.75	7.12	11.50	36
1 1/2		8.18	8.18	7.00	5.00	10.62	13.00	37
2		8.18	8.18	7.00	5.00	10.62	13.00	39

VALVE SIZE		DIMENSIONS, INCHES					WGT. LBS	
		A1	B	C	D	E		
1/2		11.50	5.06	3.50	7.12	11.50	36	
3/4		11.50	5.06	3.50	7.12	11.50	38	
1		11.50	5.25	3.62	7.12	11.50	42	
1 1/4		11.50	5.43	3.75	7.12	11.50	44	
1 1/2		14.50	7.00	5.00	10.62	13.00	49	
2		14.50	7.00	5.00	10.62	13.00	53	

① NOT TO ANSI



SPECIFICATION DATA

CUSTOMER _____
 ORDER No. _____ SERIAL No. _____
 TAG No. _____
 VALVE TYPE _____ QTY. _____
 BODY _____
 END CONN. _____
 INLET PRESS. _____ MAX. Δ P _____
 PRESS. RANGE _____ SET AT _____
 VALVE ACTION: RISE IN PRESSURE TO OPEN CLOSE
 VALVE SEAT _____ Cv _____
 MISC. _____
 CERTIFIED _____ DATE _____

 RICHARDS INDUSTRIES
 CINCINNATI, OHIO
 U.S.A.

VALVE GROUP ◦

F.N.:MK6769L

1/2"-2" MK6769L

EXTERNAL PILOT OPERATED PRESSURE REDUCING VALVE
 WITH LOW PRESSURE PILOTDRAWN BY
JLWDATE
4/09/03

CHECKED BY

DATE

MK6769L

+