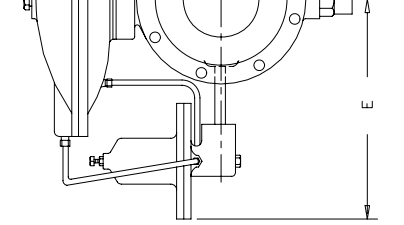
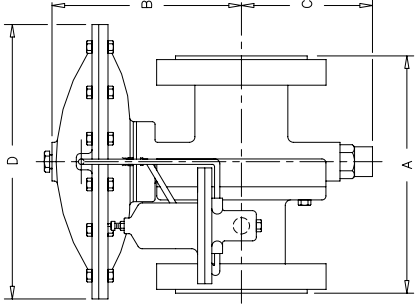


VALVE SIZE	FLANGE RATING	DIMENSIONS IN INCHES				WGT. LBS
		A	B	C	D	
2	125-150	10.87	10.68	6.93	12.75	173
	250-300	11.50			13.50	
3	125-150	11.75	10.68	6.93	12.75	193
	250-300	12.50			13.50	
4	125-150	13.87	11.88	8.00	12.75	223
	250-300	14.50			12.00	
6	125-150	17.75	12.57	9.00	12.75	313
	250-300	18.62			13.00	



SPECIFICATION DATA

CUSTOMER _____
 ORDER No. _____ SERIAL No. _____
 TAG No. _____
 VALVE TYPE _____ QTY. _____
 BODY _____
 END CONN. _____
 INLET PRESS. _____ MAX. Δ P _____
 PRESS. RANGE _____ SET AT _____
 VALVE ACTION: RISE IN PRESSURE TO OPEN CLOSE
 VALVE SEAT _____ Cv _____
 MISC. _____
 CERTIFIED _____ DATE _____

 RICHARDS INDUSTRIES
 CINCINNATI, OHIO
 U.S.A.

VALVE GROUP

FN: MK6769L-6

DRAWN BY JLW
 CHECKED BY _____
 DATE 4/09/03

MK6769L
 2 1/2-6"

2 1/2-6" MK6769L
 EXTERNAL PILOT OPERATED PRESSURE REDUCING VALVE
 WITH LOW PRESSURE PILOT